



REDWALL® WF 4010/3020/404

ULTRA LOW CURRENT EXTERNAL PIR SENSORS



FEATURES

- 0.15mA Consumption
- All-metal sensor head
- High RFI/EMI immunity
- 40m x 10m long range
- 30m x 20m wide angle
- 40m x 4m curtain
- Dual channel processing
- Twin dual sensors
- Tamper resistant bracket
- High or medium sensitivity setting
- IP 65 rated

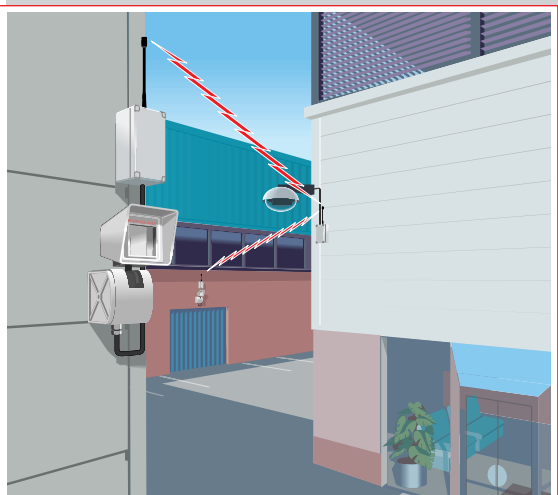
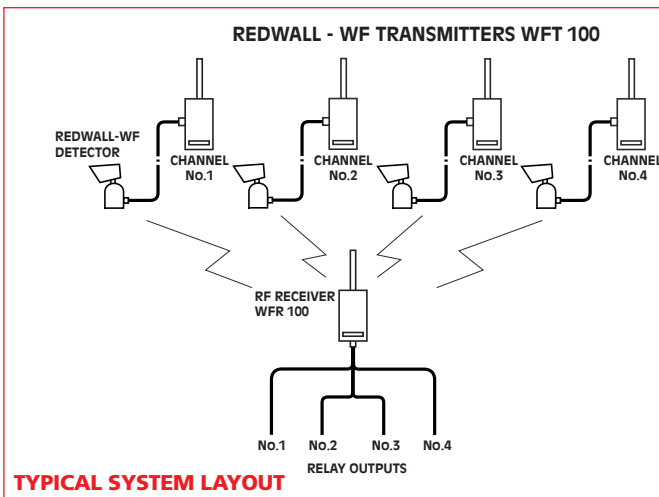
CONCEPT

The WF Wire-Free versions of the Redwall® 3020/4010 and 404 sensors are designed for use where a reliable low current detector is required. WF detectors can be used in conjunction with the Security Enclosures Wire-Free link products WFT100 and WFR100 to form a complete radio linked system for outdoor use. This system is ideal for use with dome and pan and tilt cameras to provide activity inputs to preset alarm positions. The flexibility of installation also makes the product suitable for temporary sites or areas where changes to the site layout occurs on a regular basis.

Wire-Free products are both simple to install and set-up using the standard LRP 1020 walktest device. Their ultra-low 0.15mA power consumption results in a detector that is perfect for use on battery or solar powered systems.

OPERATION

Detection is achieved by monitoring far infrared levels between an intruder and the background in the detectors multiple fields of view. These detectors use twin dual element sensors and twin electronic processors to achieve detection while maintaining operational stability. A precision optical array combining reflective and refractive lenses provide the sensors with a precise coverage pattern that can be accurately aligned.



Security Enclosures Limited

Unit 9, Four Seasons Crescent, Sutton, Surrey SM3 9QR, UK. Tel: +44 (0)20 8254 2222. Fax: +44 (0)20 8641 0017.

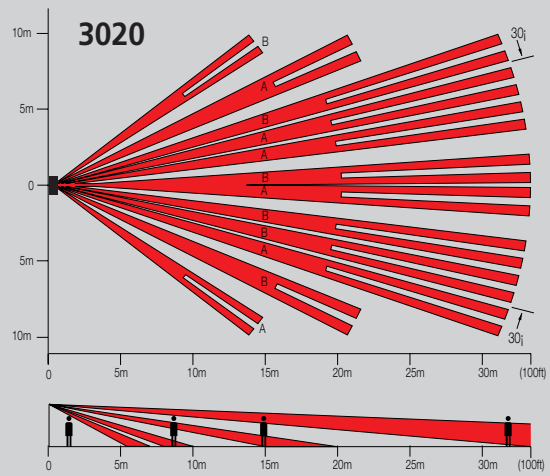
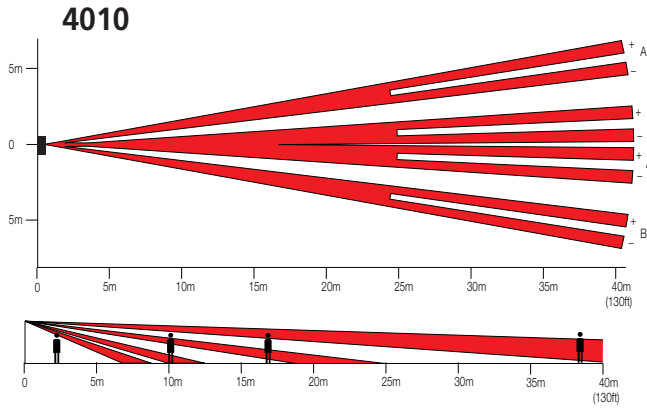
website: www.securityenclosures.com

e-mail: sales@securityenclosures.co.uk

EXTERNAL PIR'S 40M X 10M, 30M X 20M AND 40M X 4M COVERAGE

APPLICATIONS

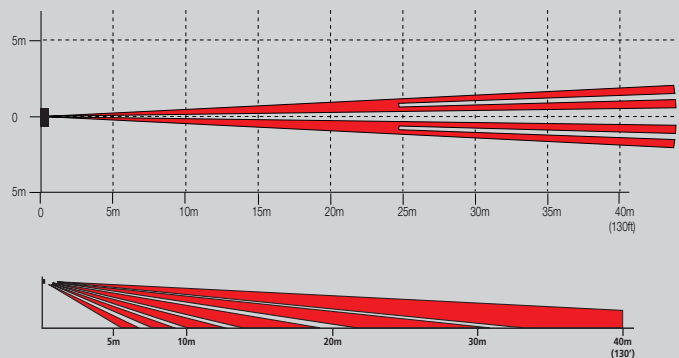
The Redwall® 4010/3020 and 404 are rugged all metal outdoor passive infrared detectors designed to operate as motion sensors for CCTV installations. They can be used to activate video transmission systems, position pan and tilt or dome cameras or alert an operators attention to movement in a specific area.



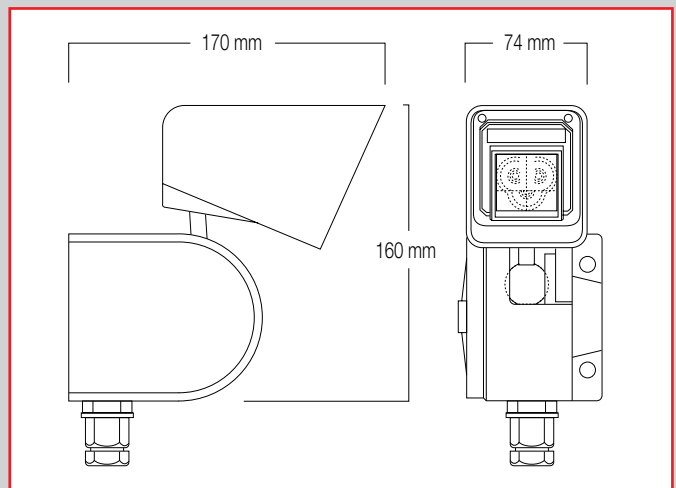
SPECIFICATIONS

| | |
|--------------------------|--|
| Range WF 3020 | 30m x 20m (95' x 62') 30 degree arc |
| Range WF 4010 | 40m x 10m (125' x 30') 20 degree arc |
| Range WF 404 | 40m x 4m (125' x 12') 5 degree arc |
| Zones WF 3020 | 48 dual zones 4 layers of 12 zones |
| Zones WF 4010 | 16 dual zones 4 layers of 4 zones |
| Zones WF 404 | 16 dual zones 4 layers of 4 zones |
| Supply Voltage | 6 V DC |
| Electronic Output | Open collector (6v max) 500ohms - ground on alarm |
| Current Consumption | .15mA |
| Walk Test | LED/ Audible with LRP 1020 |
| Operating Temp. | -10°C - +50°C |
| Weight | 500gm |
| Environmental Protection | IP65 |
| Appearance Detector | White Powder Coat |

404



DIMENSIONS



ACCESSORIES

| | |
|------------|---|
| LRP 105 - | 240 V AC power supply with light sensor and timer for switching 240 V AC loads up to 1200 watts incandescent. |
| LRP 1020 - | Audio Walk Tester |



..... quality external detection.



This unit is designed to detect intrusion and initiate a signal to control equipment. It is not a burglar/theft prevention device and we cannot accept responsibility for any losses should they occur. Due to continued improvement specifications are subject to change without prior notice.